

# URB0012

## Technical Datasheet



### Technical Specifications

Part No	URB0012
Voltage Range	10.0V – 14.4V
Average Voltage	13.2V
Capacity	25Ahr
Max. Discharge	18A continuous
Energy	330Wh
Energy Density	90Wh/Kg
Weight	3.67Kg (8.1lb)
Cycle Life	≥3000 cycles @ 1C to 80% of initial capacity
Memory	No Memory Effect
Operating Temperature	-25°C to 65°C
Charge Temperature	0°C to 45°C
Storage Temperature	-30°C to 70°C
Self-Discharge	<2% per month
Exterior/Housing	White, ABS Plastic
Terminals/Connector	Hirose QRP1-8S-C: 8 pin connector housing
LED Indicators	5 LED State-of-Charge Indicator
Safety	Material Safety Datasheet – MSDS00152 Safety Guide UBM-5112
Transportation	Class 9 Int'l and within US unless shipped by motorcar or rail within the US (see note.)
Harmonized Tariff Code	8507.80.0000
Charging	Recommended charge rate is 5A to 14.4VDC @ temperature range 0°C to 45°C. Fast charge rate is 12A @ 25°C.
Certifications	Passed UNTR38.2 Transportation Testing UL2054/IEC62133 pending
Optional Accessories	Mating connector
Note	A complete description of transportation regulations, lithium weights and transportation classifications is available on the Ultralife website.

### Features

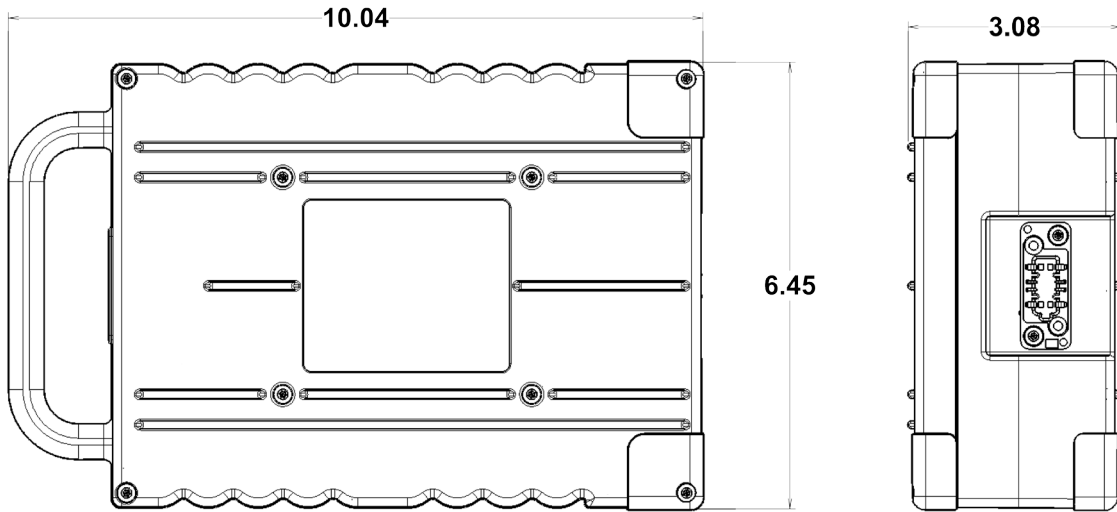
- State-of-the-art Lithium Iron Phosphate advanced battery chemistry
- With 330Wh capacity, one battery will power a mobile cart for 7-9 hours, depending on configuration
- Capable of 3000+ cycles with over 80% retained capacity
- Ergonomically-correct handle for safe handling
- **With Optional URS0010 System:**
  - Battery swap option
  - Charge on or off the cart
  - "One hour remaining" visual alert
  - Can be mounted individually or in pairs
  - Complete battery management tools
- Bright and intuitive State-of-Charge display



### Benefits

- Meets demanding requirements of medical carts
- Rapid charge capability
- Lightweight, easy to replace
- Safety is built-in
- Supports electric power lifts, popular SFF computers with large displays and other items

## Dimensions



## Performance Graphs

